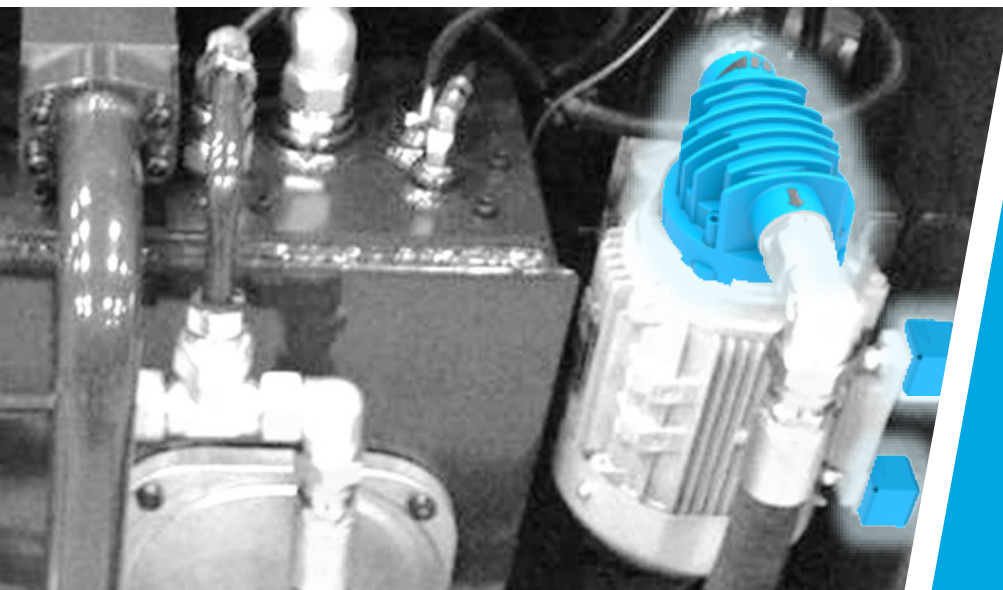
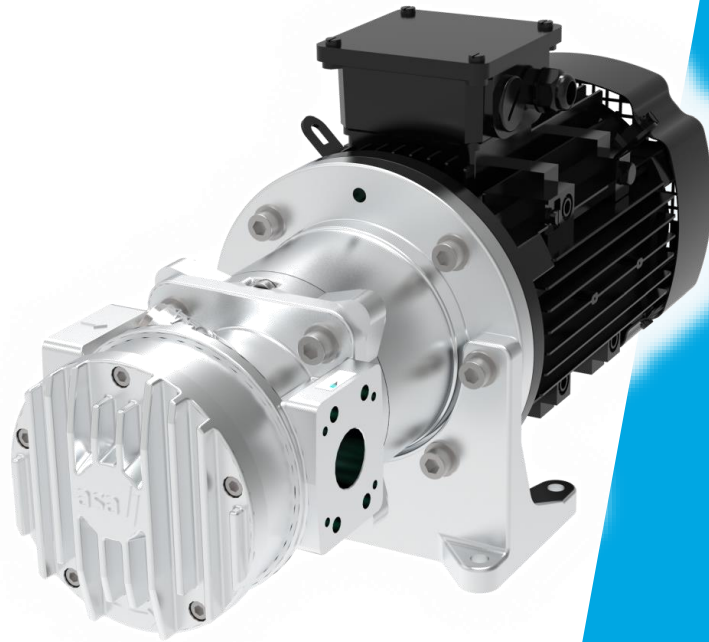




Fluid Controls

Gerotor Pump Generation 2



be different.
make a difference.

Fluid Controls

Gerotor Pump Generation 2



Design

The GERO generation 2 gerotor pumps are constant displacement pumps with compact measurements, high cleanness and a robust attribute. The asa gerotor pump generation 2 is a completely new design with trend setting modules to serve for highest flexibility to the actual application, while using the advantages of a standard product at the same time.

Applications

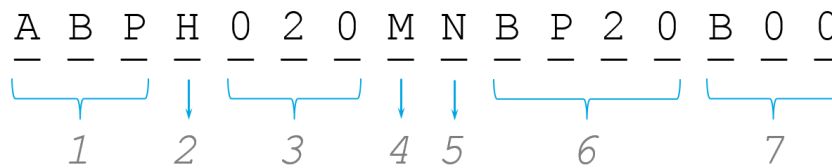
The aluminium body of the housing, the steel shaft and the standard NBR sealings are the perfect match for any mineral oil application. The pump is recommended for lubrication circuits as well as for oil supply, cooling and filtration systems.

Advantages

- Modular design**
 Our pump design uses the same housing from smallest to largest application. This results a high reliability and the most economic approach on the market.
- Cleanness**
 One of the most sophisticated topics and requirements on a modern hydraulic component is the cleanness. This is therefore the indicator for the ability to save costs and labour time for the designer and the complete system. We are working to the highest standards beyond the usual requirements.
- Internal bypass**
 The internal bypass is a standard option and keeps the same overall measurements.
- External bypass**
 For constant flow at over pressure to ensure lubrication & cooling of pump.
- asa rail system**
 The asa rail system an additional option to the conventional SAE 1 ¼" connection on the outlet. The system requires separate connectors which can be turned in 4 different directions and offers an additional G ½" port for any monitoring or other purpose.



Pump Order Code



1 Product Category

ABP	Pumps
-----	-------

2 Product Series

H	Gerotor Generation 2 for hydraulic use
---	--

3 Pump Displacement

nominal	Displ./rotation
020	20 cm ³
030	32 cm ³
040	40 cm ³
060	60 cm ³
080	80 cm ³

4 Type of Connection

M	metric 4-hole / ISO 3019-2
Z	SAE B-B 4- hole / SAE J744

5 Sealing Material

N	NBR
---	-----

6 Bypass Options

BP20	internal 2 bar relief valve
BP60	internal 6 bar relief valve
BP99	internal 10 bar relief valve (standard)
EB60	external 6 bar relief valve

7 Index / Customized

K	standard sales kit
B00	special / customized specifications; to be advised by asa

General Data

max. outlet pressure:	10 bar (relative)
max. kinematic viscosity:	up to 500 mm ² /s *)
oil temperature range	-20°C to +80°C
ambient working temperature range	-20°C to +80°C**)
compatible media	any mineral oil acc. DIN 51524

*) depending on motor power

**)...consider the maximum ambient temperature of the used electric motor

Materials

housing and cover	aluminium
shaft	steel
gerotor	steel
sealings	NBR
centering plate	aluminium

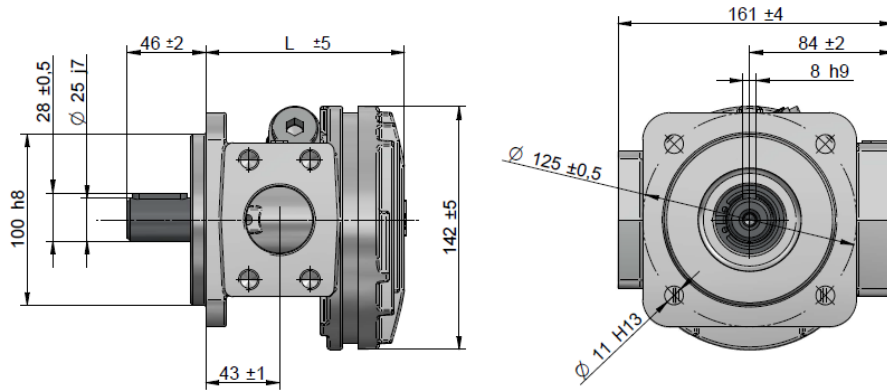
Fluid Controls

Gerotor Pump Generation 2



Metric version

(4-hole flange acc. ISO 3019-2 100B4HW with cylindrical shaft)

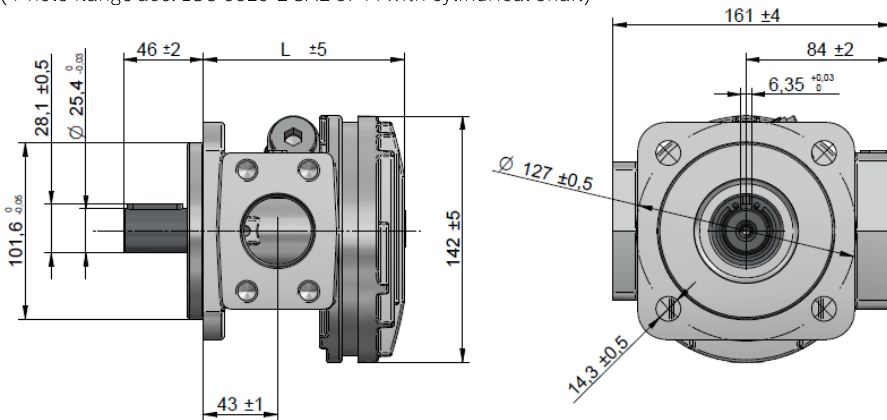


Dimensions

Nominal size	L [mm]
20	117
30	124
40	128
60	139
80	150

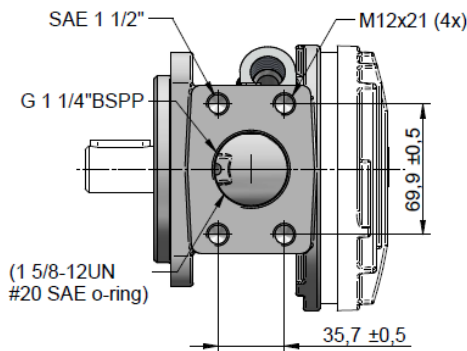
SAE version

(4-hole flange acc. ISO 3019-1 SAE J744 with cylindrical shaft)

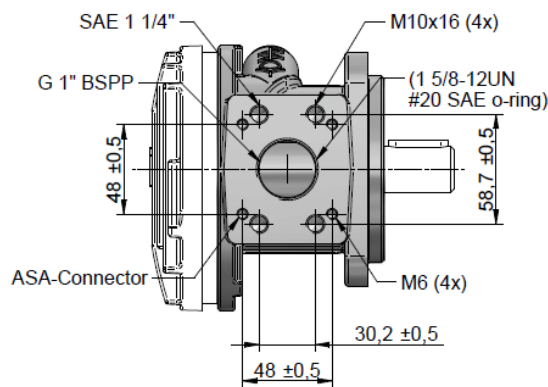


Hydraulic connection

Inlet Port



Outlet Port



Specific Data

order number	description	displacement [cm ³ /rotation]	oil flow ¹⁾ [l/min]	min. required motor power ²⁾ [kW]	weight [kg]
ABPH020MNBP99	Gerotor pump 2, 20cm ³ , metric, bypass 10 bar	20	29	1,1	4,3
ABPH030MNBP99	Gerotor pump 2, 32cm ³ , metric, bypass 10 bar	32	47	1,1	4,8
ABPH040MNBP99	Gerotor pump 2, 40cm ³ , metric, bypass 10 bar	40	58	1,5	5,1
ABPH060MNBP99	Gerotor pump 2, 60cm ³ , metric, bypass 10 bar	60	87	1,5	6,0
ABPH080MNBP99	Gerotor pump 2, 80cm ³ , metric, bypass 10 bar	80	110	1,5	7,0

¹⁾...measured at rotation of 1450rpm, pressure 0,5bar and viscosity of 46mm²/s / for 60Hz oil flow values to be multiplied by 1,2

²⁾...check page 6 for max.pressure and viscosity

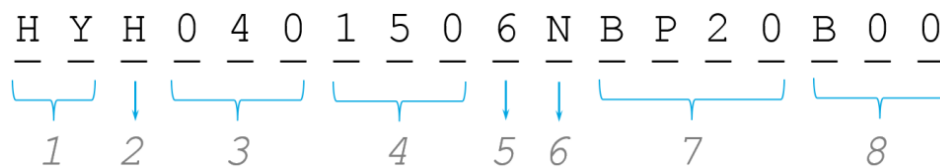
Motor / Pump Unit

Our motor / pump units are simplified options for you to the best practice configurations with the highest versatility to the possible applications. They consists of a configured gerotor pump, bell housing, mounting feet, flexible coupling and electric motor. The high quality components are in line with the pump concept. The motor/pump unit can be used as autonomous circulation power pack.

Saving space and highest cost efficiency are the most important characteristics for the available configurations.

Contact us in case of questions and for any special requirements, so we can offer our support to select the optimal product.

Pump Order Code



1 Product Category

HY	motor/pump unit
----	-----------------

2 Product Series

H	gerotor generation 2 for hydraulic use
---	--

3 Pump Displacement

nominal	Displ./rotation
020	20 cm ³
030	32 cm ³
040	40 cm ³
060	60 cm ³
080	80 cm ³

4 Motor power

110	1,10 kW	6-pole motor
150	1,50 kW	6-pole / 4-pole motor
220	2,20 kW	6-pole / 4-pole motor
300	3,00 kW	4-pole motor
400	4,00 kW	4-pole motor

5 No. of Poles

4	4-pole motor
6	6-pole motor

6 Sealing Material

N	NBR
---	-----

7 Bypass Options

BP20	internal 2 bar relief valve
BP60	internal 6 bar relief valve
BP99	internal 10 bar relief valve (standard)
EB60	External 6 bar relief valve

8 Index / Customized

B00	special / customized specifications; to be advised by asa
-----	---

General Data

frequency	50Hz
voltage	230/400V
protection	IP 55
efficiency electric motor	IE3

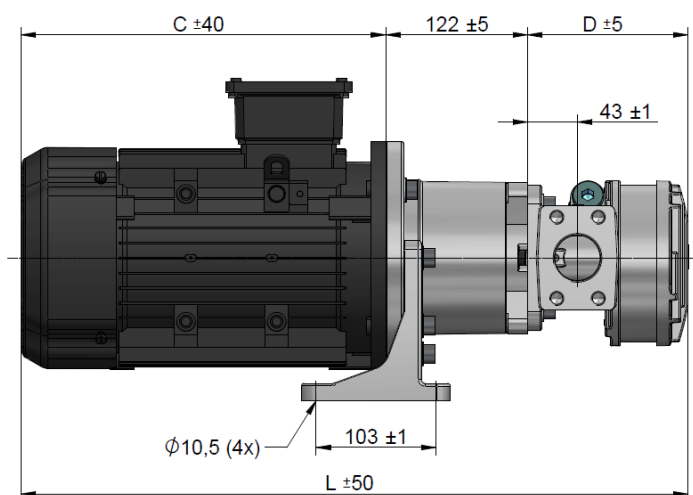
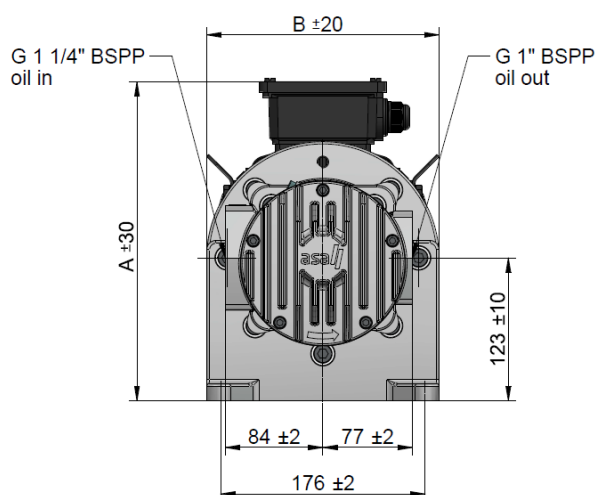
Materials

pump	aluminium
flexible coupling	aluminium/polyurethan
bell housing	aluminium
feet	aluminium

Working Range

ambient temperature	-15°C to +40°C
max. oil temperature	80°C
fluids	mineral oil acc .DIN51524





Dimensions

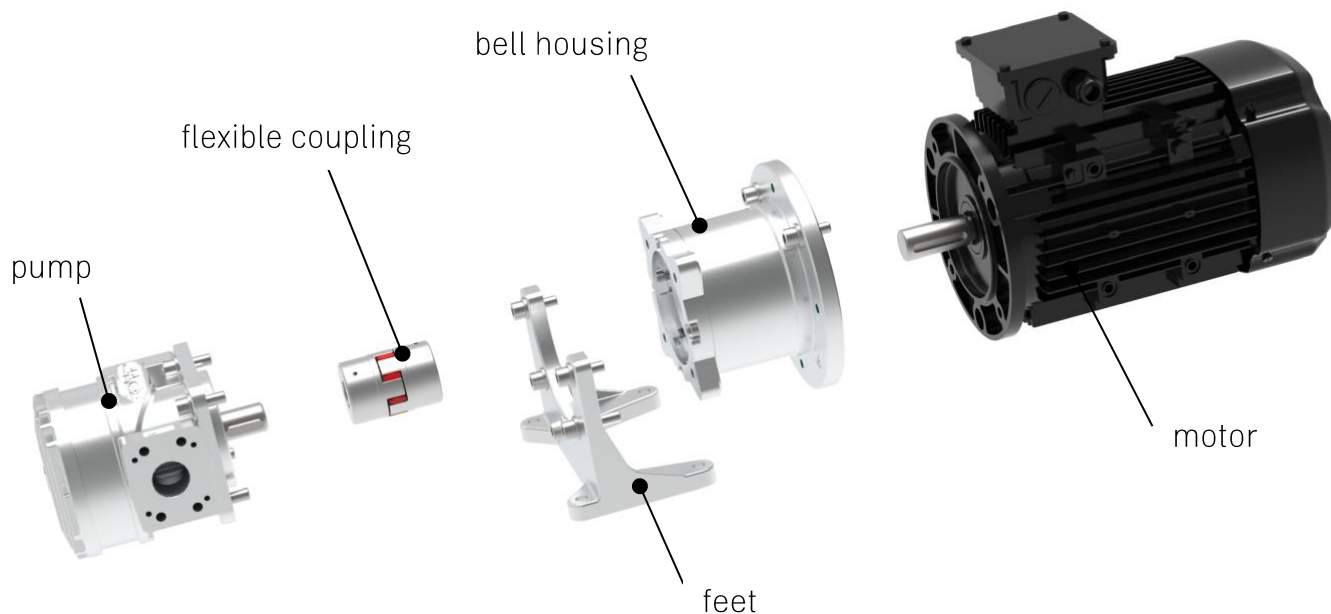
order number	description	A	B	C *	D	L	weight
		[mm]	[mm]	[mm]	[mm]	[mm]	[kg]
HYH0201106NBP99	Gero pump unit 50Hz 20cm ³ 1,1kW 6-pol. BP	265	200	270	117	509	25
HYH0201506NBP99	Gero pump unit 50Hz 20cm ³ 1,5kW 6-pol. BP	282	200	335	117	573	36
HYH0201504NBP99	Gero pump unit 50Hz 20cm ³ 1,5kW 4-pol. BP	265	200	295	117	533	26
HYH0202204NBP99	Gero pump unit 50Hz 20cm ³ 2,2kW 4-pol. BP	277	200	315	117	553	25
HYH0301106NBP99	Gero pump unit 50Hz 30cm ³ 1,1kW 6-pol. BP	265	200	270	124	515	25
HYH0301506NBP99	Gero pump unit 50Hz 30cm ³ 1,5kW 6-pol. BP	282	200	335	124	580	37
HYH0301504NBP99	Gero pump unit 50Hz 30cm ³ 1,5kW 4-pol. BP	265	200	295	124	540	26
HYH0302204NBP99	Gero pump unit 50Hz 30cm ³ 2,2kW 4-pol. BP	277	200	315	124	560	30
HYH0401106NBP99	Gero pump unit 50Hz 40cm ³ 1,1kW 6-pol. BP	265	200	270	128	520	26
HYH0401506NBP99	Gero pump unit 50Hz 40cm ³ 1,5kW 6-pol. BP	282	200	335	128	585	37
HYH0402204NBP99	Gero pump unit 50Hz 40cm ³ 2,2kW 4-pol. BP	277	200	315	128	565	30
HYH0403004NBP99	Gero pump unit 50Hz 40cm ³ 3,0kW 4-pol. BP	282	200	335	128	585	33
HYH0601506NBP99	Gero pump unit 50Hz 60cm ³ 1,5kW 6-pol. BP	282	200	335	139	595	38
HYH0602206NBP99	Gero pump unit 50Hz 60cm ³ 2,2kW 6-pol. BP	300	230	335	139	595	40
HYH0602204NBP99	Gero pump unit 50Hz 60cm ³ 2,2kW 4-pol. BP	277	200	315	139	575	31
HYH0603004NBP99	Gero pump unit 50Hz 60cm ³ 3,0kW 4-pol. BP	282	200	335	139	595	34
HYH0604004NBP99	Gero pump unit 50Hz 60cm ³ 4,0kW 4-pol. BP	300	230	335	139	595	45
HYH0801506NBP99	Gero pump unit 50Hz 80cm ³ 1,5kW 6-pol. BP	282	200	335	150	605	39
HYH0802206NBP99	Gero pump unit 50Hz 80cm ³ 2,2kW 6-pol. BP	300	230	335	150	605	41
HYH0802204NBP99	Gero pump unit 50Hz 80cm ³ 2,2kW 4-pol. BP	277	200	314	150	585	32
HYH0803004NBP99	Gero pump unit 50Hz 80cm ³ 3,0kW 4-pol. BP	282	200	335	150	606	35
HYH0804004NBP99	Gero pump unit 50Hz 80cm ³ 4,0kW 4-pol. BP	300	230	335	150	606	46

*..depending engine type

Technical Data

order number	description	motor power	motor size	poles	oil flow	max. pressure	max. viscosity	noise level *)
		[kW]	IEC		[lpm]	[bar]	[cSt]	[dB(A)]
HYH0201106NBP99	Gero pump unit 50Hz 20cm ³ 1,1kW 6-pol. BP	1,10	90L	6	18	8	150	64
HYH0201506NBP99	Gero pump unit 50Hz 20cm ³ 1,5kW 6-pol. BP	1,50	100L	6	18	8	250	64
HYH0201504NBP99	Gero pump unit 50Hz 20cm ³ 1,5kW 4-pol. BP	1,50	90L	4	28	10	250	64
HYH0202204NBP99	Gero pump unit 50Hz 20cm ³ 2,2kW 4-pol. BP	2,20	100L	4	28	10	500	64
HYH0301106NBP99	Gero pump unit 50Hz 30cm ³ 1,1kW 6-pol. BP	1,10	90L	6	29	8	150	64
HYH0301506NBP99	Gero pump unit 50Hz 30cm ³ 1,5kW 6-pol. BP	1,50	100L	6	29	8	250	64
HYH0301504NBP99	Gero pump unit 50Hz 30cm ³ 1,5kW 4-pol. BP	1,50	90L	4	44	10	250	64
HYH0302204NBP99	Gero pump unit 50Hz 30cm ³ 2,2kW 4-pol. BP	2,20	100L	4	44	10	500	64
HYH0401106NBP99	Gero pump unit 50Hz 40cm ³ 1,1kW 6-pol. BP	1,10	100L	6	35	8	150	66
HYH0401506NBP99	Gero pump unit 50Hz 40cm ³ 1,5kW 6-pol. BP	1,50	100L	6	35	8	250	66
HYH0402204NBP99	Gero pump unit 50Hz 40cm ³ 2,2kW 4-pol. BP	2,20	100L	4	54	10	250	66
HYH0403004NBP99	Gero pump unit 50Hz 40cm ³ 3,0kW 4-pol. BP	3,00	100L	4	54	10	500	66
HYH0601506NBP99	Gero pump unit 50Hz 60cm ³ 1,5kW 6-pol. BP	1,50	100L	6	52	8	150	67
HYH0602206NBP99	Gero pump unit 50Hz 60cm ³ 2,2kW 6-pol. BP	2,20	112M	6	52	8	250	67
HYH0602204NBP99	Gero pump unit 50Hz 60cm ³ 2,2kW 4-pol. BP	2,20	100L	4	80	10	150	67
HYH0603004NBP99	Gero pump unit 50Hz 60cm ³ 3,0kW 4-pol. BP	3,00	100L	4	80	10	250	67
HYH0604004NBP99	Gero pump unit 50Hz 60cm ³ 4,0kW 4-pol. BP	4,00	112M	4	80	10	500	67
HYH0801506NBP99	Gero pump unit 50Hz 80cm ³ 1,5kW 6-pol. BP	1,50	100L	6	69	8	150	70
HYH0802206NBP99	Gero pump unit 50Hz 80cm ³ 2,2kW 6-pol. BP	2,20	112M	6	69	8	250	70
HYH0802204NBP99	Gero pump unit 50Hz 80cm ³ 2,2kW 4-pol. BP	2,20	100L	4	105	10	150	70
HYH0803004NBP99	Gero pump unit 50Hz 80cm ³ 3,0kW 4-pol. BP	3,00	100L	4	105	10	250	70
HYH0804004NBP99	Gero pump unit 50Hz 80cm ³ 4,0kW 4-pol. BP	4,00	112M	4	105	10	500	70

*)depending on motor



This data sheet and the corresponding scale drawings are to be used as a general guideline and technical overview of our products. Please contact us if more exact information is needed. As we are constantly improving our products, their characteristics, dimensions and weights may also change, although we do our best to incorporate these changes continually. asa assumes no liability for any information therein, any errors, omissions, misprints, nor any direct or indirect damages, losses or costs resulting therefrom. Any cooling performances and general technical values indicated in this catalogue are measured at a test bench according to asa testing procedures or calculated, based on such tests. Due to different conditions in testing and application environments the performance may also vary by +/- 15%. Because there is no standardized testing procedure, tests used by other manufacturers could have different results. Therefore we recommend all products to be checked under the system operating conditions. This is also true for vibrations and mechanical stress as well as for pressure peaks and thermal stress and any other relevant factors. General tolerances according to DIN ISO 2768-vL. General tolerances for casted parts according to EN ISO 8062-3 (DCTG 10). Tolerances for rubber parts are according to ISO 3302-1 (class M4-F+C). The tolerances of welding seams are defined by quality group D according to EN ISO 10042, if it is not specified on the actual scale drawing or data sheet. In addition to that we point out that any data sheet and corresponding scale drawing is no substitution for the manual.

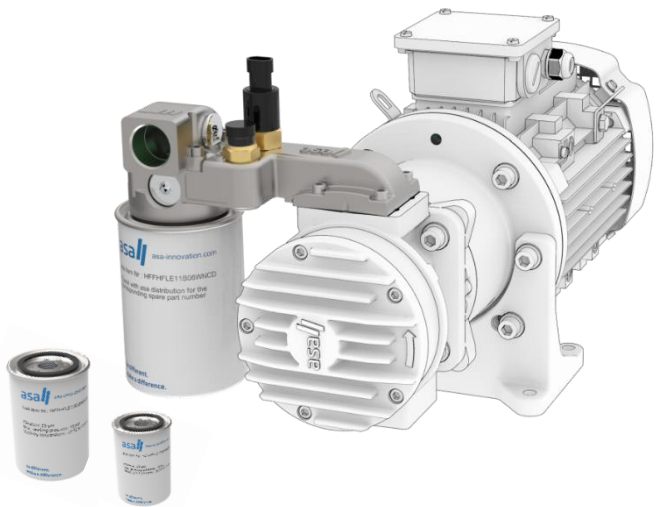
Options

Filtration

We offer an optional spin on filter kit to mount on the outlet port in combination with our hydraulic rail connection system, see below.

spin on filter kit BSP ¾"	ILLZRF11G2010 (10µm, 60lpm) ILLZRF11G2025 (25µm, 60lpm) ILLZRF12G2010 (10µm, 100lpm) ILLZRF12G2025 (25µm, 100lpm)
clogging indicator	electric, optical
temperature switches	ILLZTH5069K, ILLZTH4765K ILLZTH6065K

Contact us for complete data sheet of this filter integration system.



Hydraulic connection

For the suction side, you can choose from our connection technology program a flexible rubber compensator with SAE flanges. For the outlet port you can choose any of our rail connectors, with the possibility to turn the port direction at the below given dimensions.

Inlet Port	
SAE rubber compensator NBR/CR, NG 40, SAE 1 ½"	
order number:	SDKSS040

Outlet Port	
optional rail connector order numbers	
90° rail connector BSP 1"	ILLZATT53G25
straight rail connector BSP 1"	ILLZATTS1G25
90° rail connector BSP 1 ¼"	ILLZATT53G32

Contact us for our complete suction line product program, including adapter flanges and butterfly valves.

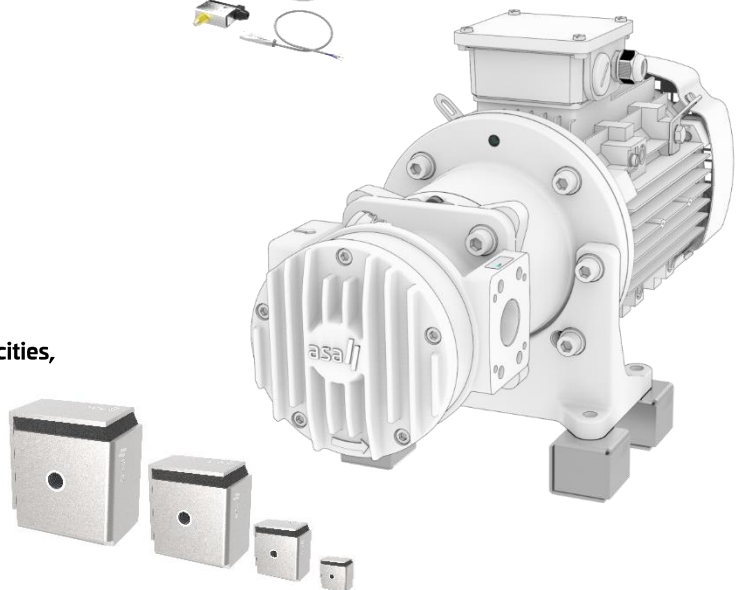


Vibration Absorbers

Using our patented vibration absorbers extends the duration of the pump unit. The unique design has highest capabilities with higher vulcanization surface than conventional products. The shear load capabilities can be maximized by the given arrow system on the product.

50x50x45mm absorber with M10 threads	Extended duration and highest shear loads through our design and arrows system on the product.
order number	MDGQ504510IIK
50x50x45 M10	

Contact us for full vibration absorber program with load capacities, maximum static loads and spring rates.



This data sheet and the corresponding scale drawings are to be used as a general guideline and technical overview of our products. Please contact us if more exact information is needed. As we are constantly improving our products, their characteristics, dimensions and weights may also change, although we do our best to incorporate these changes continually. asa assumes no liability for any information therein, any errors, omissions, misprints, nor any direct or indirect damages, losses or costs resulting therefrom. Any cooling performances and general technical values indicated in this catalogue are measured at a test bench according to asa testing procedures or calculated, based on such tests. Due to different conditions in testing and application environments the performance may also vary by +/- 15%. Because there is no standardized testing procedure, tests used by other manufacturers could have different results. Therefore we recommend all products to be checked under the system operating conditions. This is also true for vibrations and mechanical stress as well as for pressure peaks and thermal stress and any other relevant factors. General tolerances according to DIN ISO 2768-vL. General tolerances for casted parts according to EN ISO 8062-3 (DCTG 10). Tolerances for rubber parts are according to ISO 3302-1 (class M4-F+C). The tolerances of welding seams are defined by quality group D according to EN ISO 10042, if it is not specified on the actual scale drawing or data sheet. In addition to that we point out that any data sheet and corresponding scale drawing is no substitution for the manual.

**be different.
make a difference.**

AUSTRIA

asa technology GmbH
Prager Strasse 280
A-1210, Vienna
Tel.: +43 1 292 40 20
support@asahydraulik.com

USA

asa hydraulik of America
160 Meister Avenue 20 A
Branchburg, New Jersey 08876
Tel.: +1 800 473 94 00
Tel.: +1 908 541 15 00
sales_us@asahydraulik.com

CHINA

安飒液压科技（苏州）有限公司
asa Hydraulik Technology (Suzhou) Co.Ltd
江苏省苏州市工业园区方洲路128号6区B幢
Area 6, Building B,
Fangzhou Road No 128,
Suzhou industrial park,
Suzhou City, Jiangsu Province
Tel.: +86 512 62381988
suzhou@asahydraulik.com

AUSTRALIA

asa Products Pty Ltd
Quinlan Road 23
3076 Epping, Victoria
Tel.: +61 3 9397 6129
melbourne@asahydraulik.com

INDIA

ASA hydraulik India Pvt Ltd
C1/102/9, GIDC, Palej, Dt.Bharuch
Gujarat - 392220
Tel.: +91 22 28195557
salesindia@asahydraulik.com

