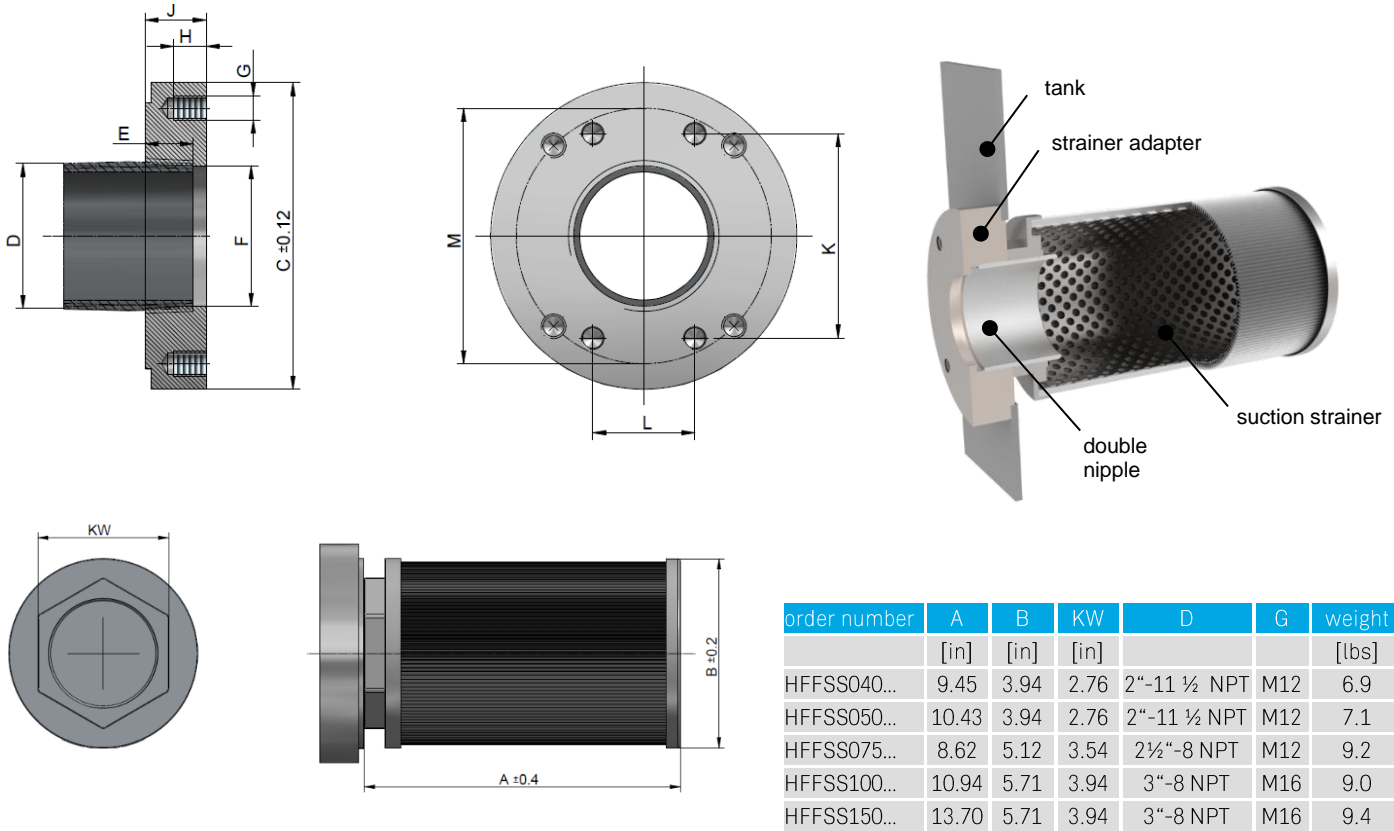


# Connection Technology

## Strainer Adapter



The new solution "asa-strainer-adapter" is another combination of functions. It is a simple and clever solution to create a flange connection on the tank with a suction strainer at the same time. The sales kit includes the welding adapter flange, a double nipple and our high duration suction strainer. In combination with our butterfly valves and compact expansion joints we can offer the most compact tank to pump solution in the market. Contact us for further combinations and options at [sales\\_us@asahydraulik.com](mailto:sales_us@asahydraulik.com).



order number	A	B	KW	D	G	weight
	[in]	[in]	[in]			[lbs]
HFFSS040...	9.45	3.94	2.76	2"-11 ½ NPT	M12	6.9
HFFSS050...	10.43	3.94	2.76	2"-11 ½ NPT	M12	7.1
HFFSS075...	8.62	5.12	3.54	2½"-8 NPT	M12	9.2
HFFSS100...	10.94	5.71	3.94	3"-8 NPT	M16	9.0
HFFSS150...	13.70	5.71	3.94	3"-8 NPT	M16	9.4

### Technical Data

order number	description	C	E	F	H	J	K	L	M
		[in]	[in]	[in]	[in]	[in]	[in]	[in]	[in]
HFFSS040NA040U00	Strain.Adapt. NPT 2" 15gpm,AF-40	5.12	0.79	1.93	0.63	1.18	-	-	4.33
HFFSS050NA040U00	Strain.Adapt. NPT 2" 25gpm,AF-40	5.12	0.79	1.93	0.63	1.18	-	-	4.33
HFFSS075NA063U00	Strain.Adapt. NPT 2 ½" 40gpm,AF-50&63	5.91	0.79	2.48	0.63	1.18	-	-	4.92
HFFSS100NA080U00	Strain.Adapt. NPT 3" 50gpm,AF-80	5.91	0.79	3.23	0.63	1.18	4.19	2.44	-
HFFSS150NA080U00	Strain.Adapt. NPT 3" 80gpm,AF-80	5.91	0.79	3.23	0.63	1.18	4.19	2.44	-

### Material

flange material	1.0037
pipe nipple	steel
filter material:	
head	aluminum
end cap	steel
center tube	steel
wire mesh	stainless steel

### Filtration

150 microns      other ratings on request

### Temperature

working temperature    -13°F to +230°C

### Corrosion

delivery condition      oiled

### Compatibility

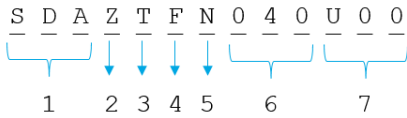
mineral oil based hydraulic fluids

# Connection Technology Strainer Adapter



## Order Number Code/Options

### Strainer-Adapter Kit



#### 1 Product Series

SDA	Connection Technology Butterfly valve group
-----	--

#### 2 Design Type 1

Z	Accessories
---	-------------

#### 3 Design Type 2

T	Oil tank
---	----------

#### 4 Design Type 3

F	Filter
---	--------

#### 5 Port Type

B	BSP
N	NPT

#### 6 Butterfly size

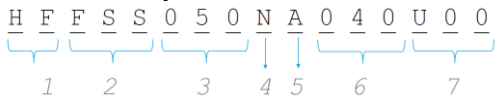
040	SDA0040U00
063	SDA0050U00 & SDA0063U00
080	SDA0080U00

#### 7 Customized

U00	Standard US configuration
Uxx	Special / customized specifications, to be advised



### Strainer-Adapter Kit with suction strainer



#### 1 Product Series

HF	Hydraulic filters
----	-------------------

#### 2 Design Type

FSS	Suction strainer series
-----	-------------------------

#### 3 Oil flow category

040	2" / 15 gpm
050	2" / 25 gpm
075	2 ½" / 40 gpm
100	3" / 50 gpm
150	3" / 80 gpm

#### 4 Port Type

B	BSP
N	NPT

#### 5 Port size of element

A	Adapter flange solution
---	-------------------------

#### 6 Butterfly size

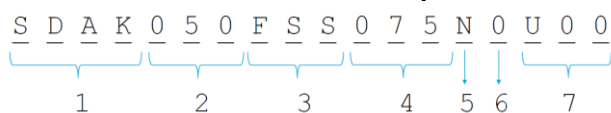
040	SDA0040U00
063	SDA0050U00 & SDA0063U00
080	SDA0080U00

#### 7 Customized

U00	Standard US configuration
Uxx	Special / customized specifications, to be advised



### Suction Unit Kit with strainer-adapter and suction strainer



#### 1 Product Series

SDAK	Connection Technology Suction line
------	---------------------------------------

#### 2 Suction line size

040	NG40 = 1 ½"
050	NG50 = 2"
063	NG63 = 2 ½"
080	NG80 = 3"

#### 3 Design Type

FSS	Adapter to suction strainer series
-----	------------------------------------

#### 4 Oil flow category

040	2" / 15 gpm
050	2" / 25 gpm
075	2 ½" / 40 gpm
100	3" / 50 gpm
150	3" / 80 gpm

#### 5 Port Type

B	BSP
N	NPT

#### 6 Options

0	no options
---	------------

#### 7 Customized

U00	Standard US configuration
Uxx	Special / customized specifications, to be advised

